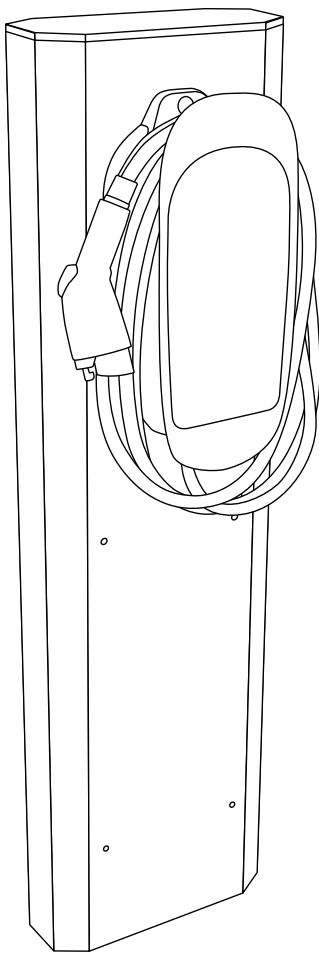


# EV PEDESTAL INSTALLATION GUIDE



**FOR MODELS:**

**BASE, BASE+**



# SAFETY DISCLAIMER

This product should be installed by a licensed electrician according to NEC standards.

## Tools Required

1. Hammer drill with a 5/8" drill bit to drill anchor bolt holes.
2. 3 pound sledgehammer to pound anchor bolts in.
3. Impact drill with a 15/16" socket to tighten nuts on the anchor bolts.
4. 4mm Allen wrench to take off facade panels to wire the charger.
5. 7/16" wrench or socket to attach grounding wires to grounding lug.
6. Pencil or sharpie to mark base plate holes. (optional)
7. Angle grinder to cut off old bolts from previous charging stand.

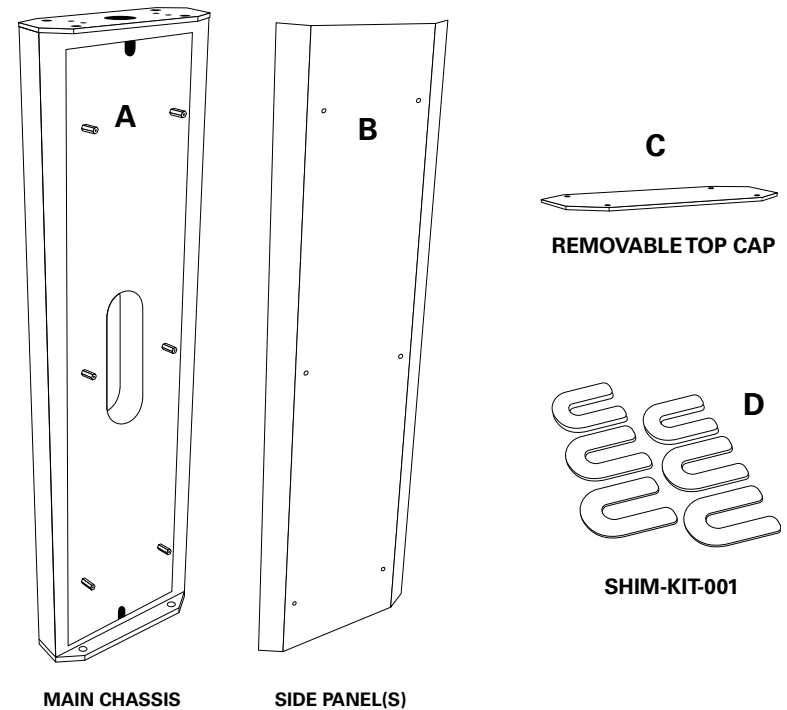


**TIP:** Foam packaging can be repurposed as a kneeling pad and/or a non-scratch surface for working on the EV pedestal.

## Components Included

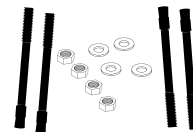
- A. Main Chassis
- B. Side Panel(s) (1 or 2)
- C. Removable Top Cap
- D. Leveling Shims (Part # SHIM-KIT-001)

**NOTE:** Mounting hardware is sold separately.



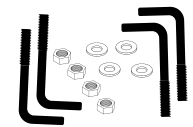
**Mounting hardware:** (Sold separately)

FOR RETROFIT



STUD-ANCHOR-625

FOR NEW CONSTRUCTION



L-BOLT-625

## STEP 1: TURN OFF POWER

1. This product should be installed by a licensed electrician according to NEC standards.
2. Turn off the power using the circuit breaker at the main electrical panel and **LOCKOUT/TAG OUT**.



## STEP 2: PREPARE NEW EV PEDESTAL

3. Foam packaging can be repurposed as a kneeling pad and/or a non-scratch surface for working on the EV pedestal.
4. Remove the side panels from the EV pedestal (chassis); set side panels aside without scratching. The chassis should now be exposed.

### IF RETROFIT: STEP 3A

## STEP 3A: REMOVE OLD CHARGER PEDESTAL

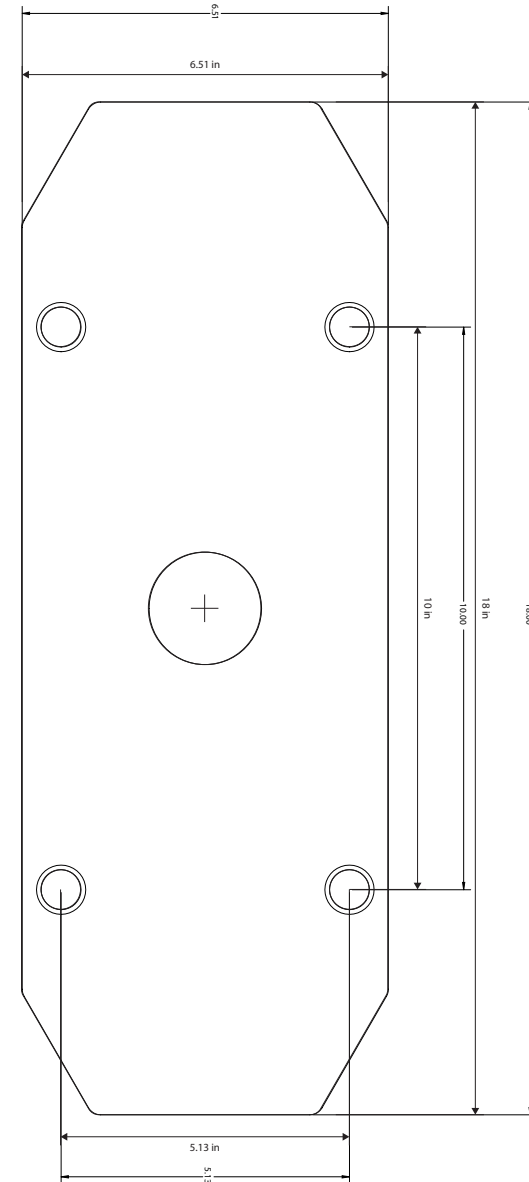
5. **Verify that power has been shut off and is LOCKOUT/TAG OUT**, then disconnect EV charger (head) wiring from the power source.
6. Remove the EV charger (head) from the existing pedestal, set EV charger aside.
7. Disconnect mounting bolts securing old EV pedestal from the cement pad, set old EV pedestal aside.

### IF NEW CONSTRUCTION: STEP 3B

## STEP 3B: PREPARE CEMENT PAD

5. Prepare a cement pad with rebar reinforcements according to your local building codes.
6. See cement pad tips here.
7. Use **L-BOLT-625** fasteners for anchors.

**SEE MOUNTING TEMPLATE ON REVERSE SIDE**



DOWNLOAD TEMPLATE

**FOR REFERENCE ONLY. NOT TO SCALE.**  
See hole template on next page for install.

10 inches center to center

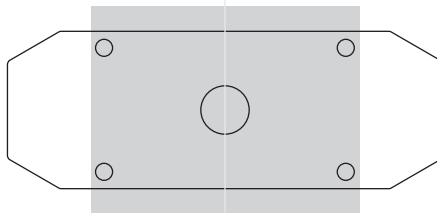
5.13 inches center to center

MOUNTING HOLES  
Use 5/8" drill bit.

MOUNTING HOLES  
Use 5/8" drill bit.

2" WIRE PASSTHROUGH  
(CENTER POINT)

# MOUNTING TEMPLATE



AREA SHOWN HERE

This sheet intended to be removed for use in installation.



## STEP 4 INSTALL NEW CHARGER PEDESTAL

11. Using the template of the new EV pedestal (chassis), mark and drill new mounting holes (if needed) in cement pad. Saw off preexisting bolts at ground level if they are unusable.
12. Drill new mounting holes at least 6" deep. Remove dust buildup.
13. Place mounting bolts into drilled holes according to manufacturer's specifications.
14. Pull power source wires through the center hole on the EV pedestal (chassis) while placing the EV pedestal (chassis) upright and over the mounting bolts.
15. Place a level on top of the chassis. Use leveling shims to level the chassis.
16. Once EV pedestal (chassis) is level, place washers first then nuts second, over the mounting bolts. Tighten the nuts to 7lbs/force.
17. **Optional:** If a cable management extension arm was purchased, install it now by removing the EV pedestal top cap (plate) and mount the cable extension arm on top.

### FOR RETROFIT



**Existing Concrete**  
Wedge anchors  
**PART:** Stud-Anchor-625

### FOR NEW CONSTRUCTION



**Poured Concrete**  
L-bolts  
**PART:** L-Bolt-625

**THIS PAGE INTENTIONALLY LEFT BLANK**  
See mounting template on reverse side.

## ATTENTION

For retrofit installs, do not tap the bolts with too much force or the beveled tip will deform and the nut will not go on.

## STEP 5: REINSTALL EV CHARGER (HEAD) ONTO NEW PEDESTAL

19. Mount the EV charger (head) to a new panel by:
  - a. First, pass the EV charger (head) wire through the front of the panel; then,
  - b. Second, mount the EV charger (head) to the panel.
  - c. Third, carefully lean the panel up against the EV pedestal (chassis).
20. Connect the original power source wires from the EV pedestal (chassis) through the back of the panel to the original EV charger (head) wires according to the EV charger (head) manufacturer's recommendations and NEC standards.
21. Mount the panel to the chassis by aligning the 6 screw holes and securing with fasteners. Ensure no wires are exposed or pinched prior to tightening.
22. Repeat if more than one EV charger (head) needs to be attached.
23. Wipe down panels and EV chargers.

## STEP 6: TURN ON POWER

24. This product should be installed by a licensed electrician according to NEC standards.
25. Turn on the power using the circuit breaker at the main electrical panel.

## WARRANTY INFORMATION

This **LIMITED WARRANTY** covers defects in workmanship and materials for a period of 1 year from date of receiving this equipment. Pedestal PRO will replace or repair at its sole option any defective pedestals.

This warranty does not cover problems that result from abuse, accident, misuse, or problems with the equipment being mounted on it. It does not cover uses not in accordance with the instruction manual. It does not cover products mounted on it. It explicitly excludes products for which Pedestal PRO has not received payment.

THIS WARRANTY GIVE YOU SPECIFIC LEGAL RIGHTS WHICH MAY VARY FROM STATE TO STATE (PROVINCE TO PROVINCE IN CANADA). PEDESTAL PRO'S RESPONSIBILITY FOR DEFECTS IN MATERIAL AND WORKMANSHIP SHALL BE LIMITED TO REPAIR AND/OR REPLACEMENT AS SET FORTH IN THIS WARRANTY. ALL EXPRESS AND IMPLIED WARRANTIES, INCLUDING BUT NOT LIMITED TO ANY IMPLIED WARRANTIES AND WARRANTIES OF MERCHANTABILITY OR FITNESS FOR A PARTICULAR PURPOSE ARE DISCLAIMED.

WE DO NOT ACCEPT LIABILITY FOR INCIDENTAL OR CONSEQUENTIAL DAMAGES OR FOR ANY THIRD PARTY CLAIMS FOR DAMAGES AGAINST THE PURCHASE OF THIS PRODUCT. (SOME STATES AND PROVINCES DO NOT ALLOW THE EXCLUSION OR LIMITATION OF INCIDENTAL OR CONSEQUENTIAL DAMAGES, SO THIS MAY NOT APPLY TO YOU.)

## WARRANTY DISCLAIMER FOR STAINLESS STEEL PRODUCTS

This warranty applies to stainless steel products manufactured and sold by Pedestal PRO. We warrant that our stainless steel products are free from defects in material and workmanship under normal use and service for a period of one (1) year from the date of purchase. The warranty is material only and labor is not included.

### Exclusions and Limitations

- **Exposure to Salt and Chemicals:** This warranty does not cover damage or deterioration caused by exposure to salt, chlorine, or other harsh chemicals. Stainless steel, while resistant to rust and corrosion, can be affected by prolonged contact with such substances.
- **Improper Use or Maintenance:** Any damage resulting from improper use, installation, maintenance, power washing or cleaning is not covered under this warranty. It is the responsibility of the customer to follow proper care and maintenance guidelines as provided by Pedestal PRO. Please refer to the Pedestal PRO Stainless Steel Care Guide.
- **Environmental Conditions:** The warranty does not cover damage caused by environmental conditions, such as marine or industrial environments, which may accelerate corrosion or staining of stainless steel.
- **Alterations or Modifications:** Any alterations or modifications made to the product without the prior written consent of Pedestal PRO will void this warranty.
- **Normal Wear and Tear:** This warranty does not cover normal wear and tear, including but not limited to scratches, dents, or changes in appearance over time.



800.660.3072

**pedestalpro.com**

947 W 500 N., Suite 101, Lindon, Utah 84042